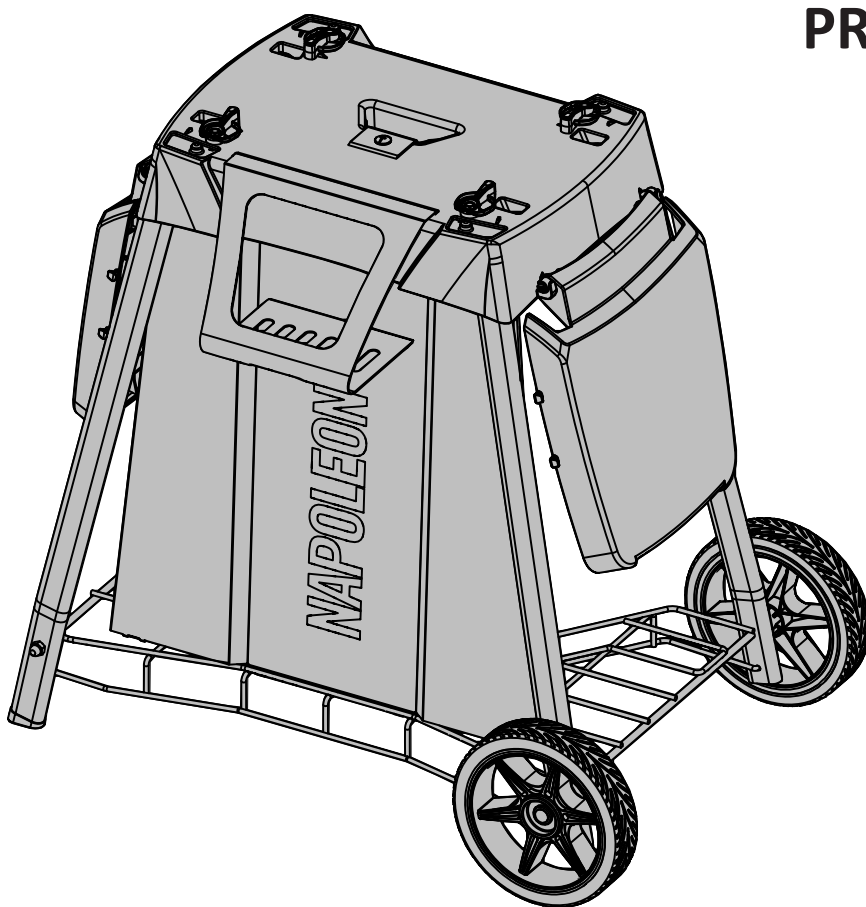




PRO285 STAND



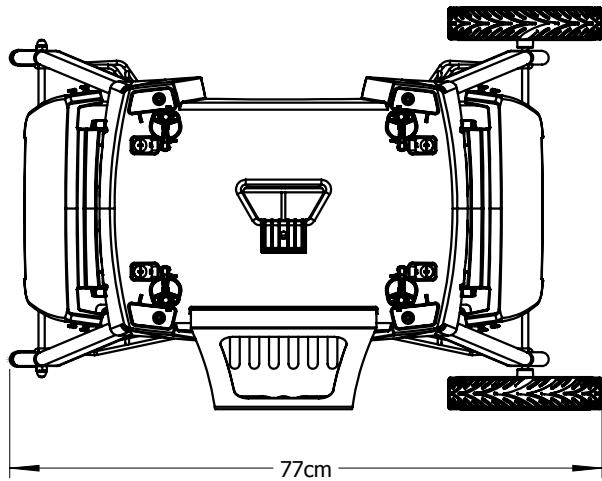
Notice to Installer: Leave these instructions with the grill owner for future reference.

Napoleon Group of Companies
214 Bayview Dr., Barrie, Ontario, Canada L4N 4Y8
Phone: 1-705-726-4278 Fax: (705)-727-4282

www.napoleongrills.com

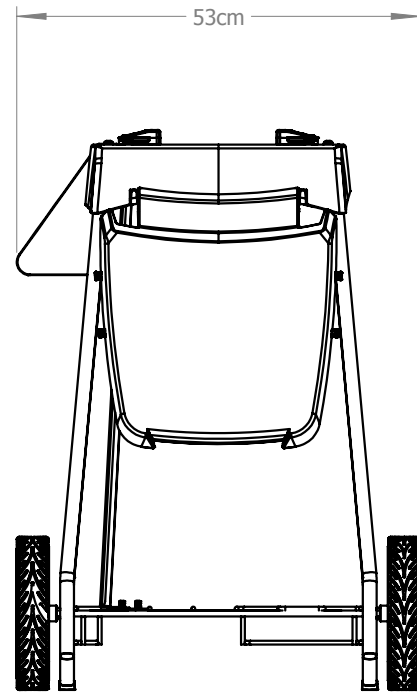
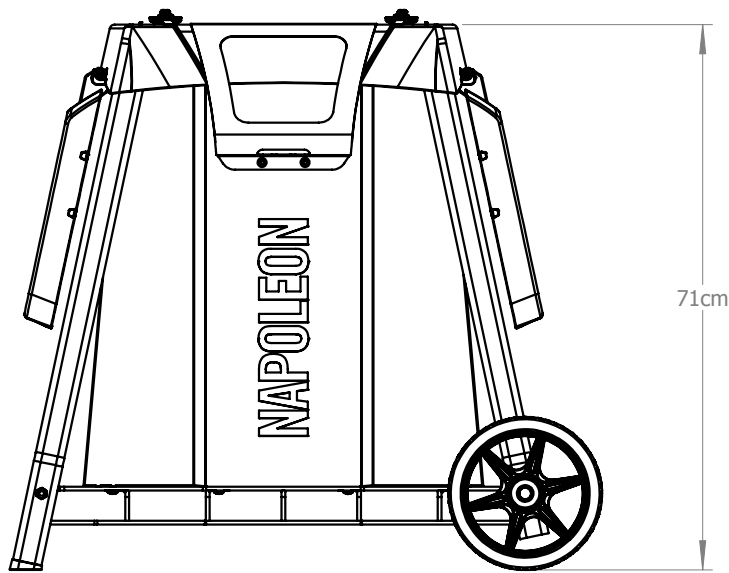
Customer Solutions: 1-866-820-8686 or grills@napoleonproducts.com

Dimensions



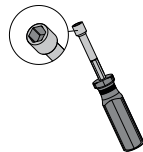
PRO285-STAND

ALL DIMENSIONS ARE APPROXIMATE



TOOLS REQUIRED FOR ASSEMBLY (tools not included)

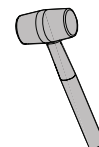
1/2" (13mm) /
3/8" (10mm)
Wrench,
ratchet or driver



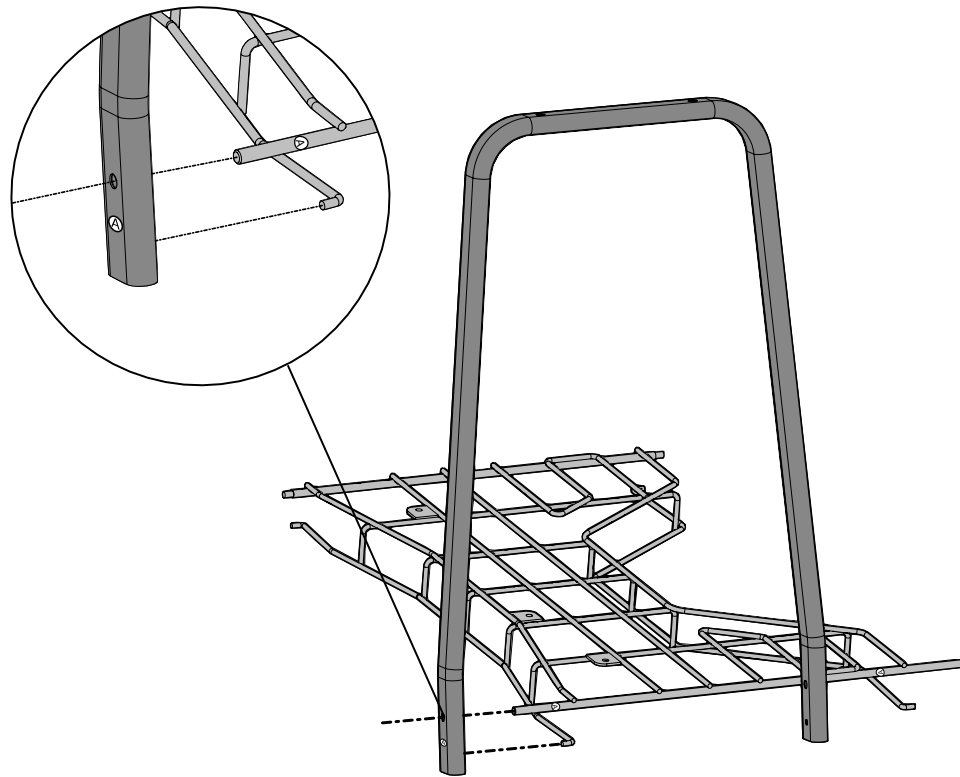
#3 Philips screwdriver



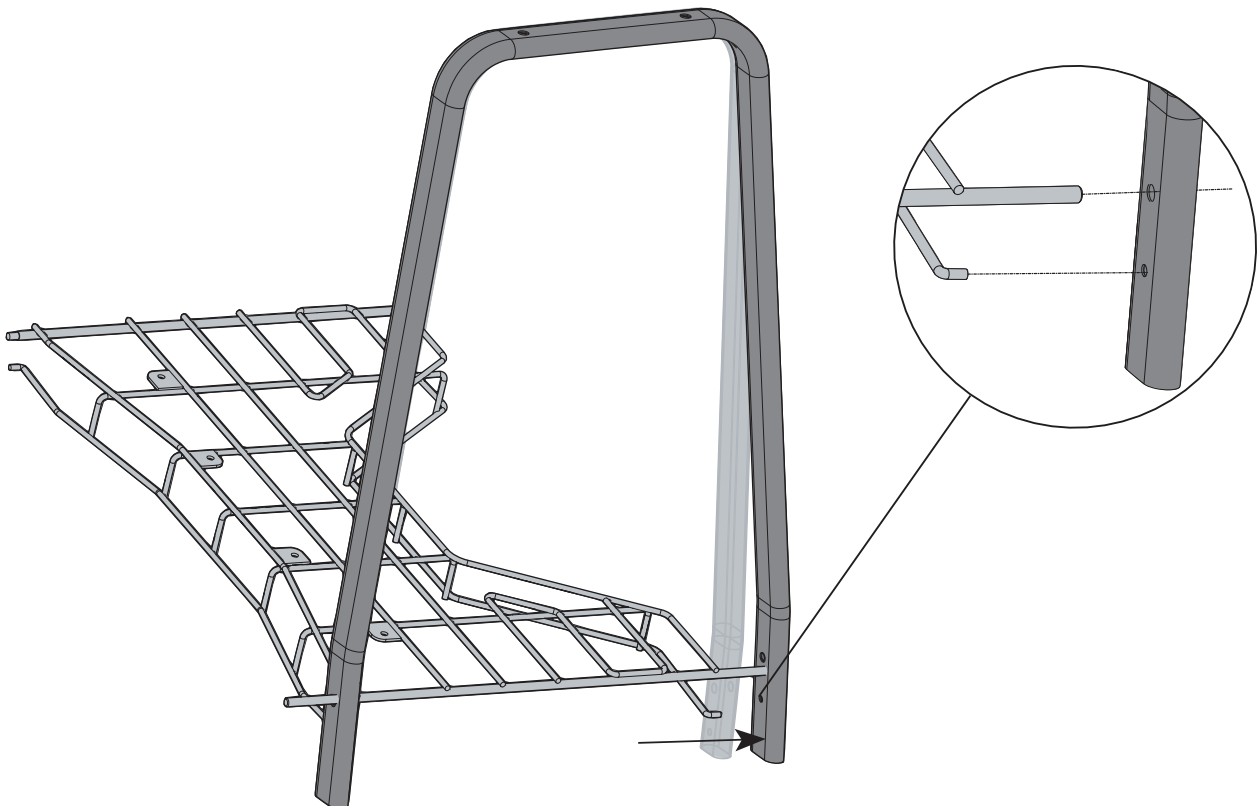
Rubber Mallet



1.

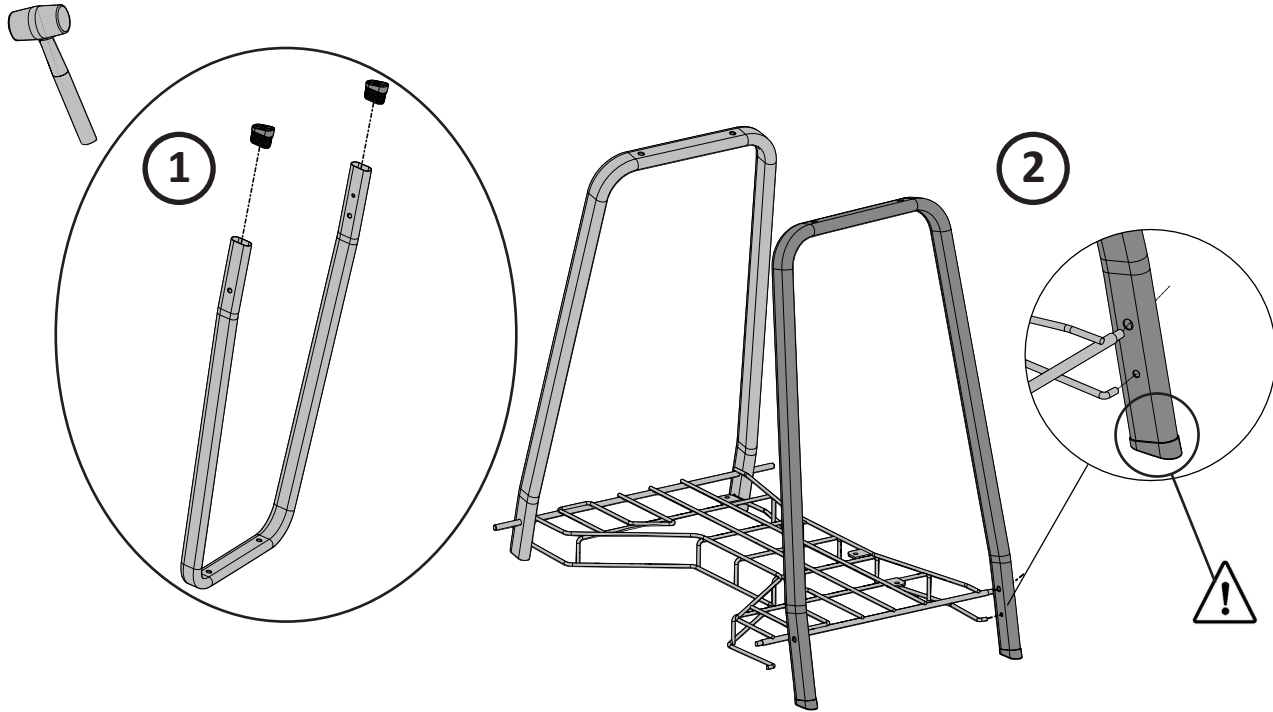


2.

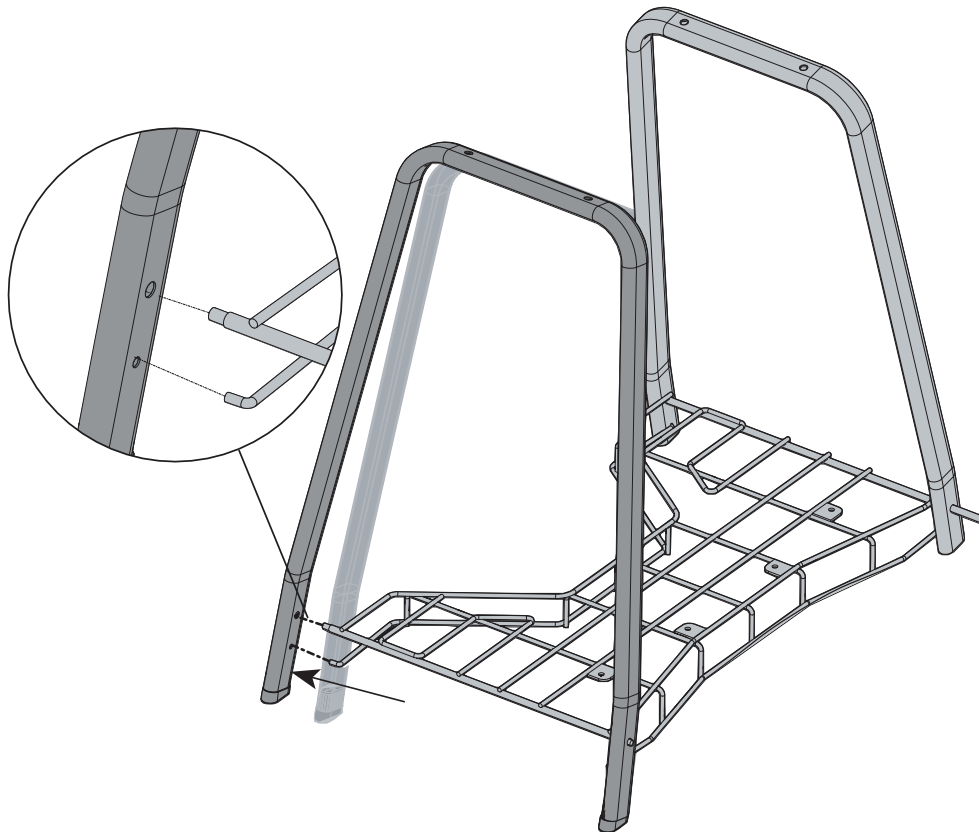


3.

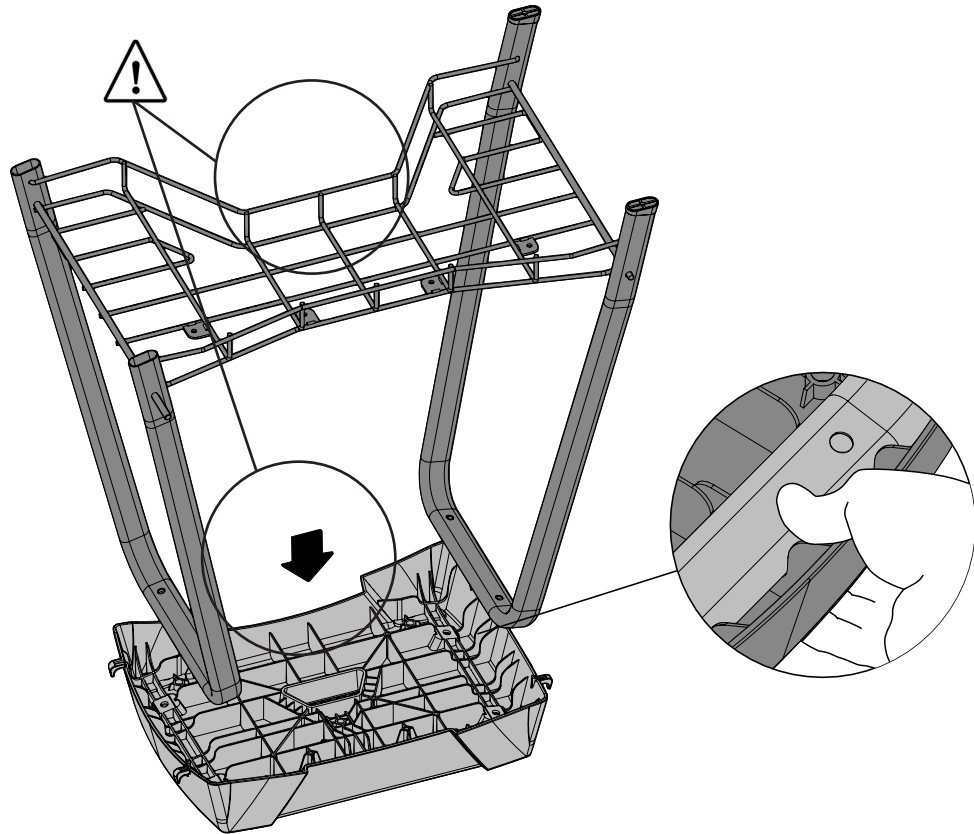
2 X N075-0092



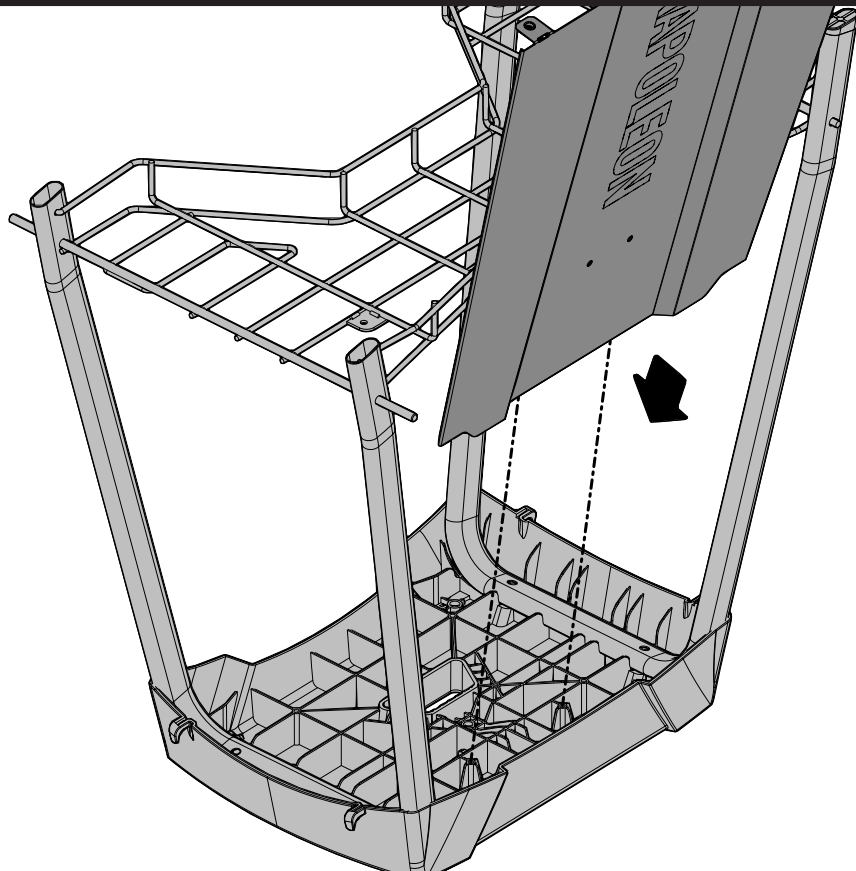
4.



5.

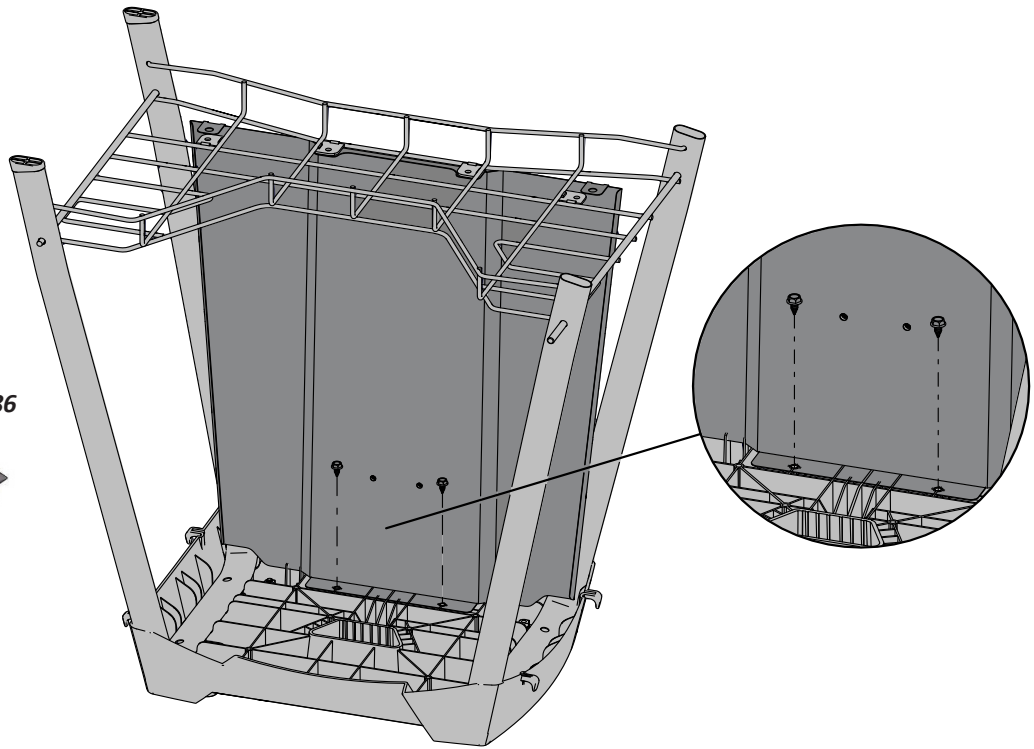
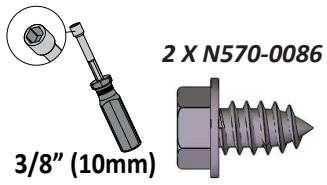
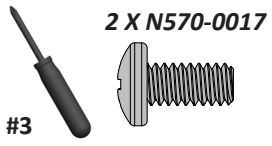


6.

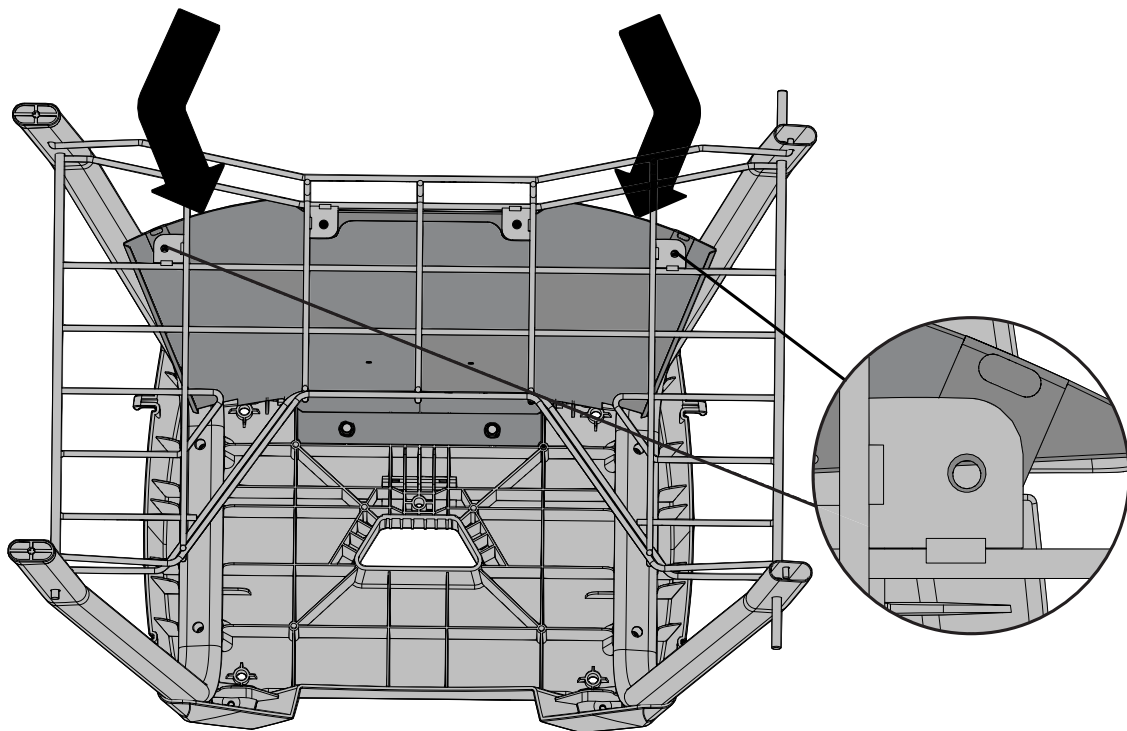


6

7.



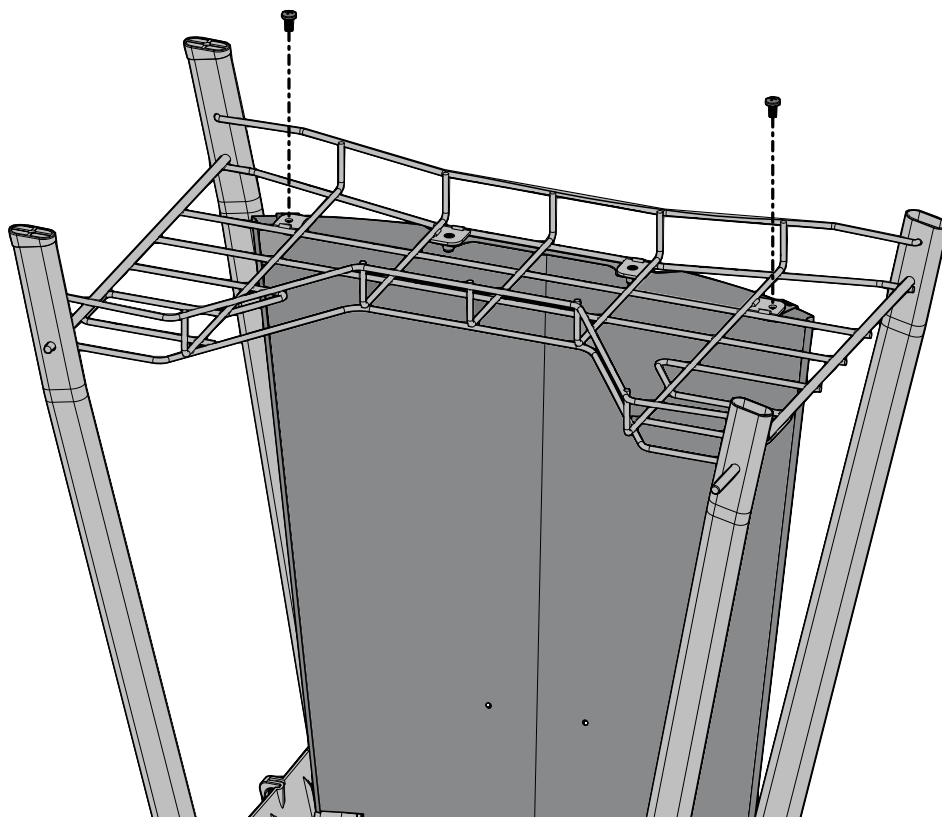
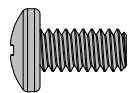
8.



9.



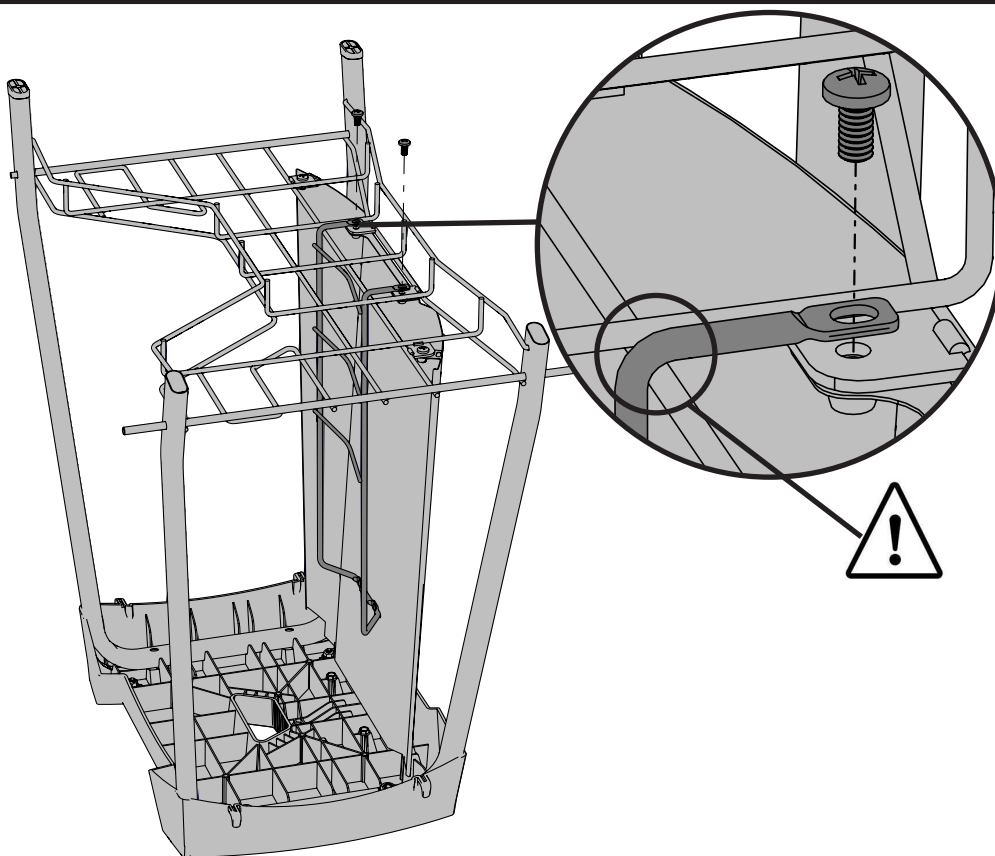
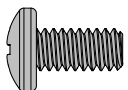
2 X N570-0017



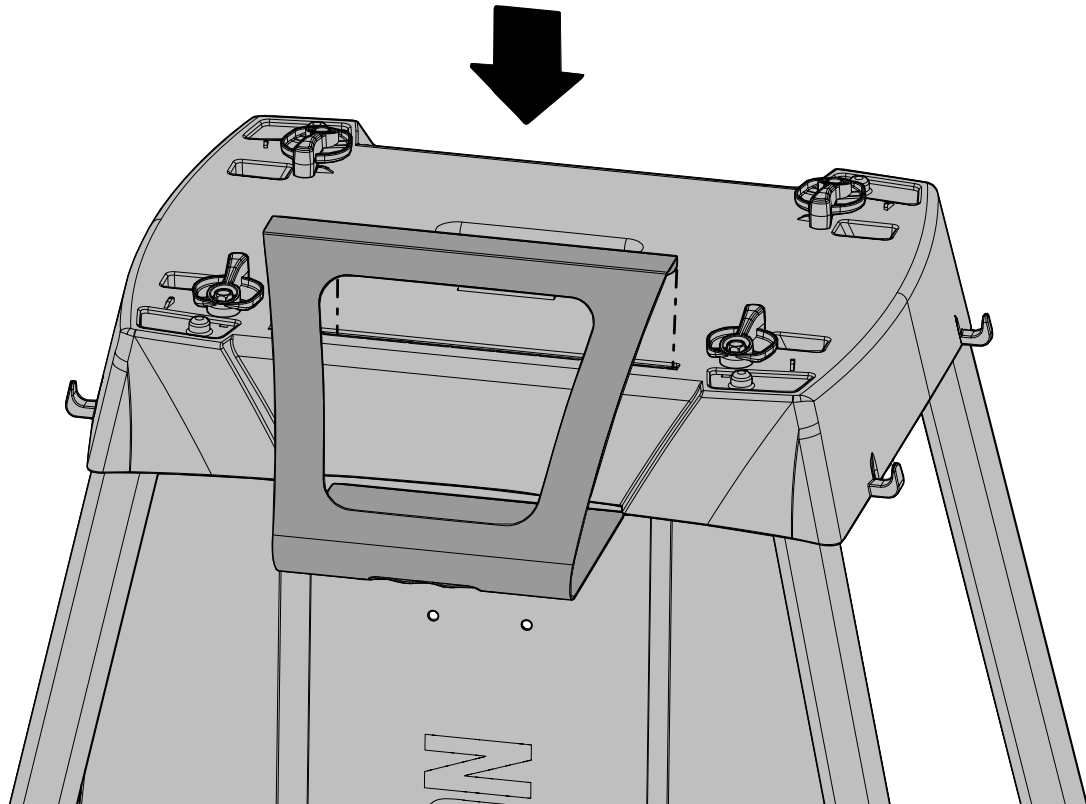
10.



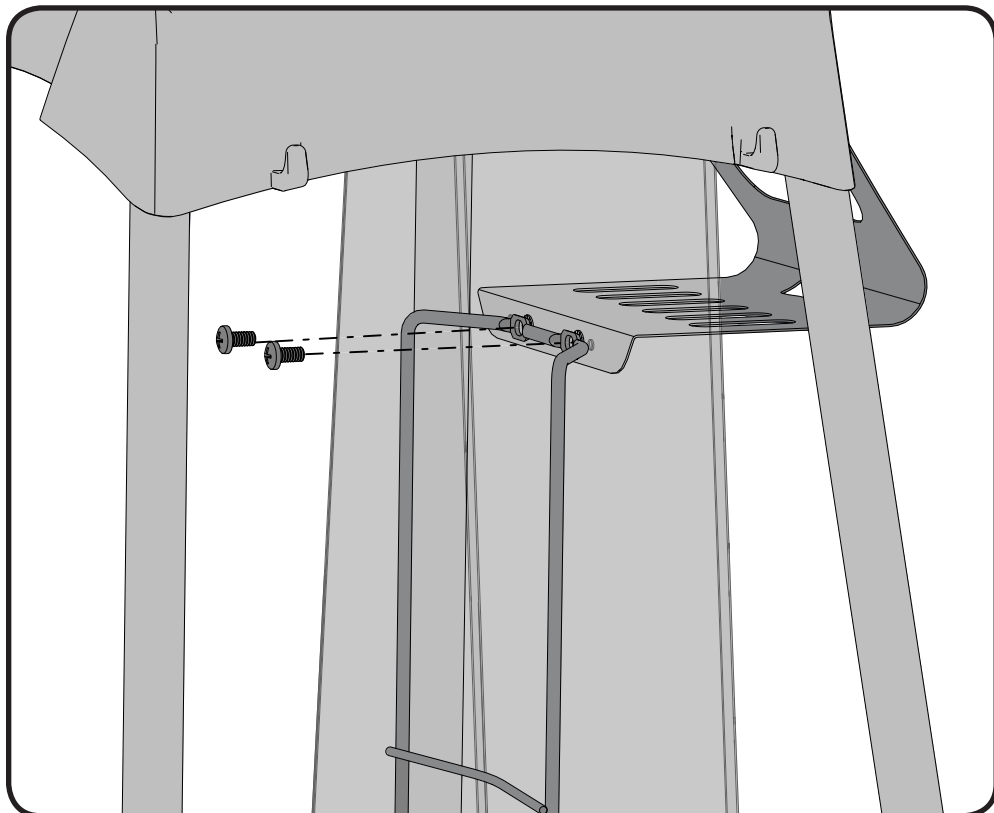
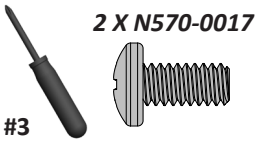
2 X N570-0017



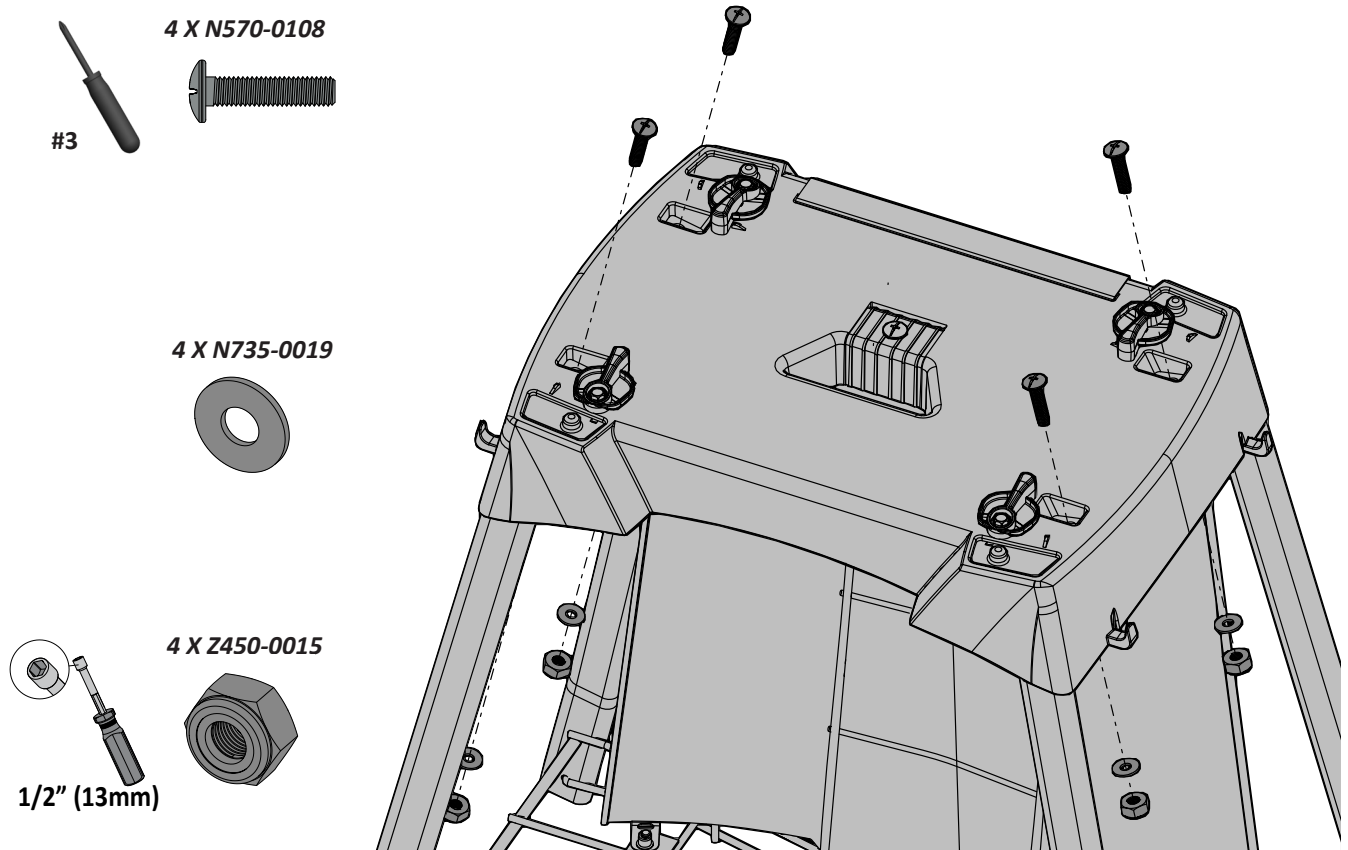
11.



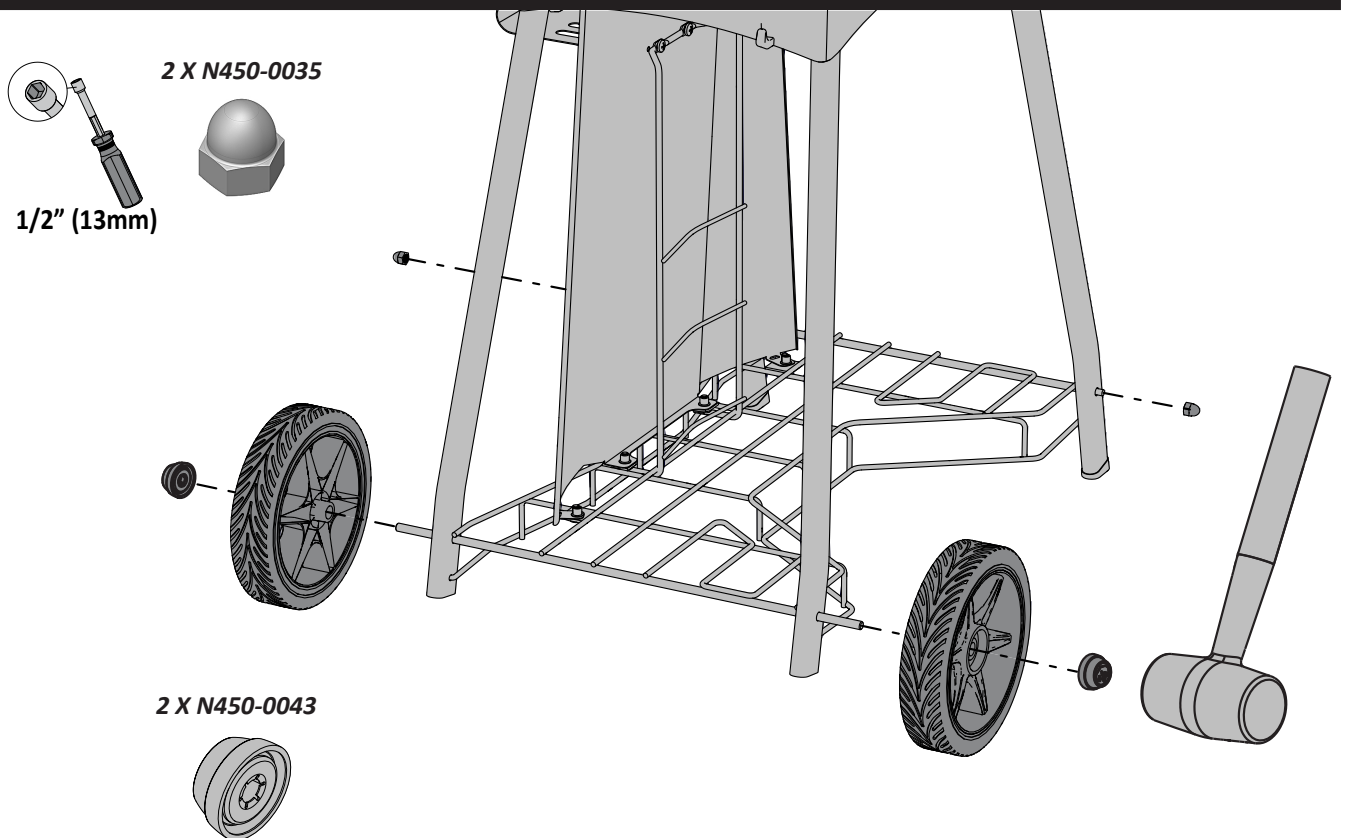
12.



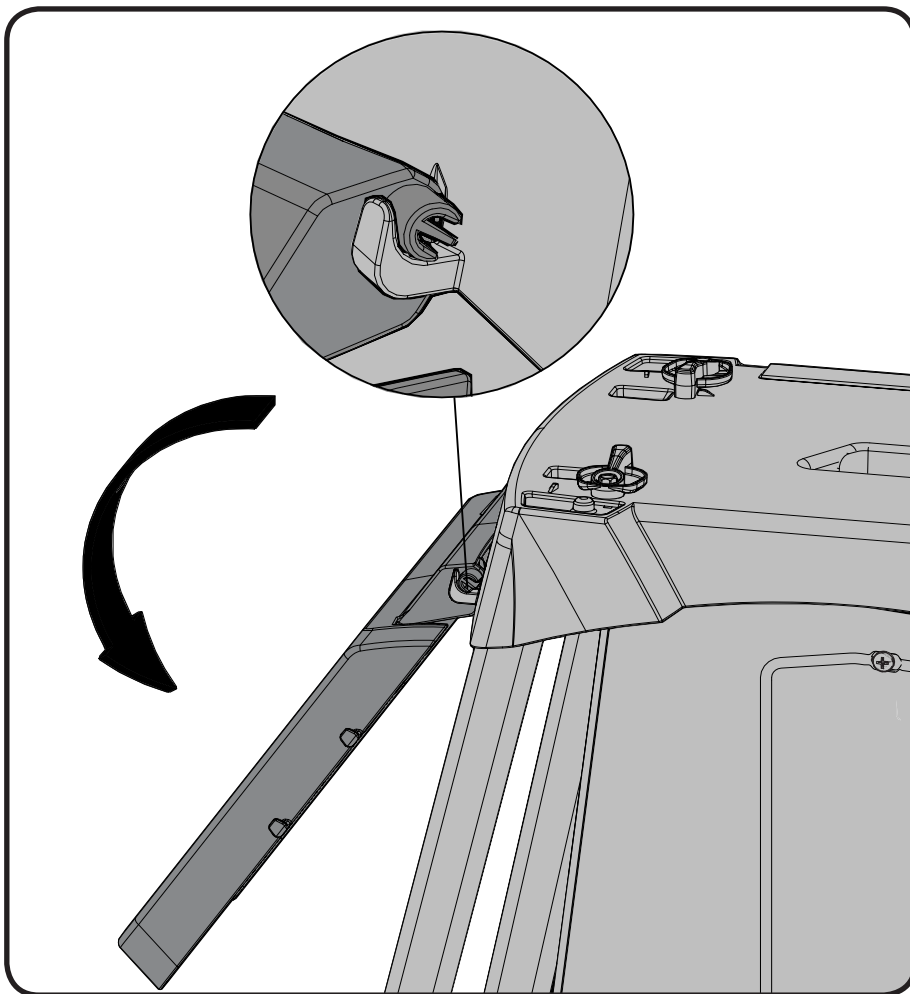
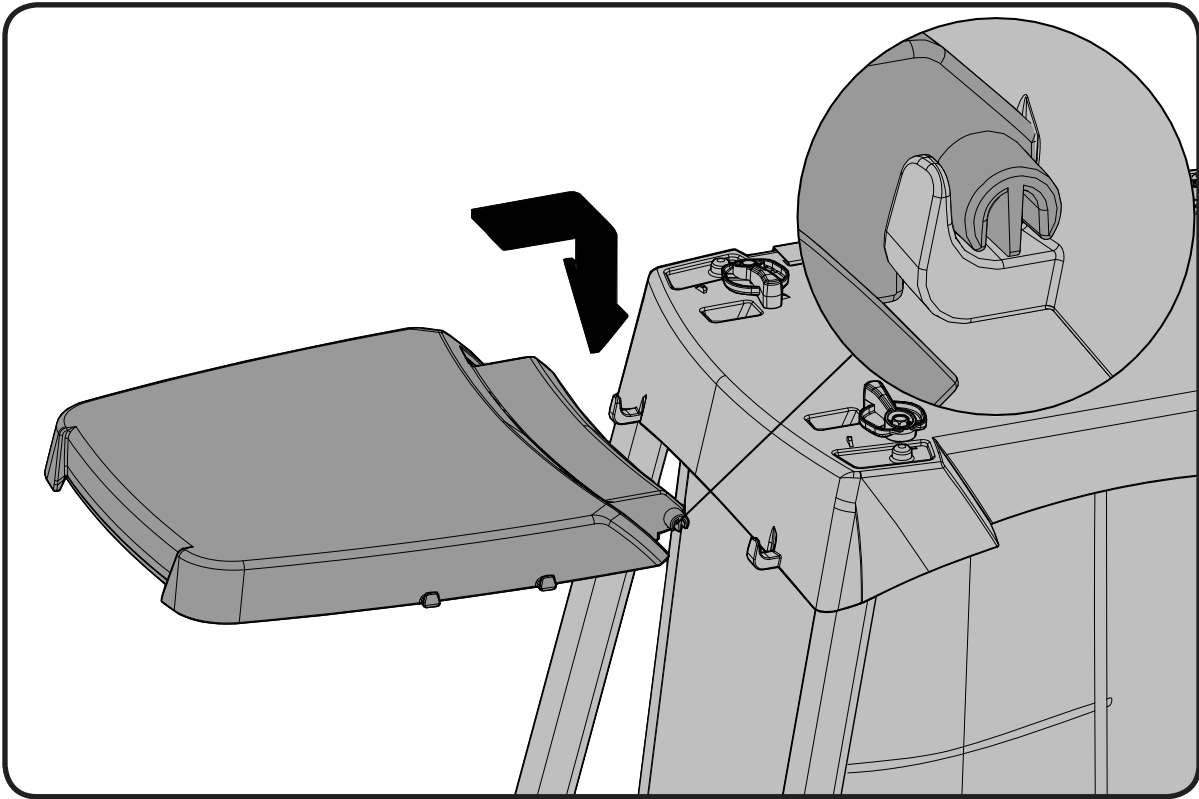
13.



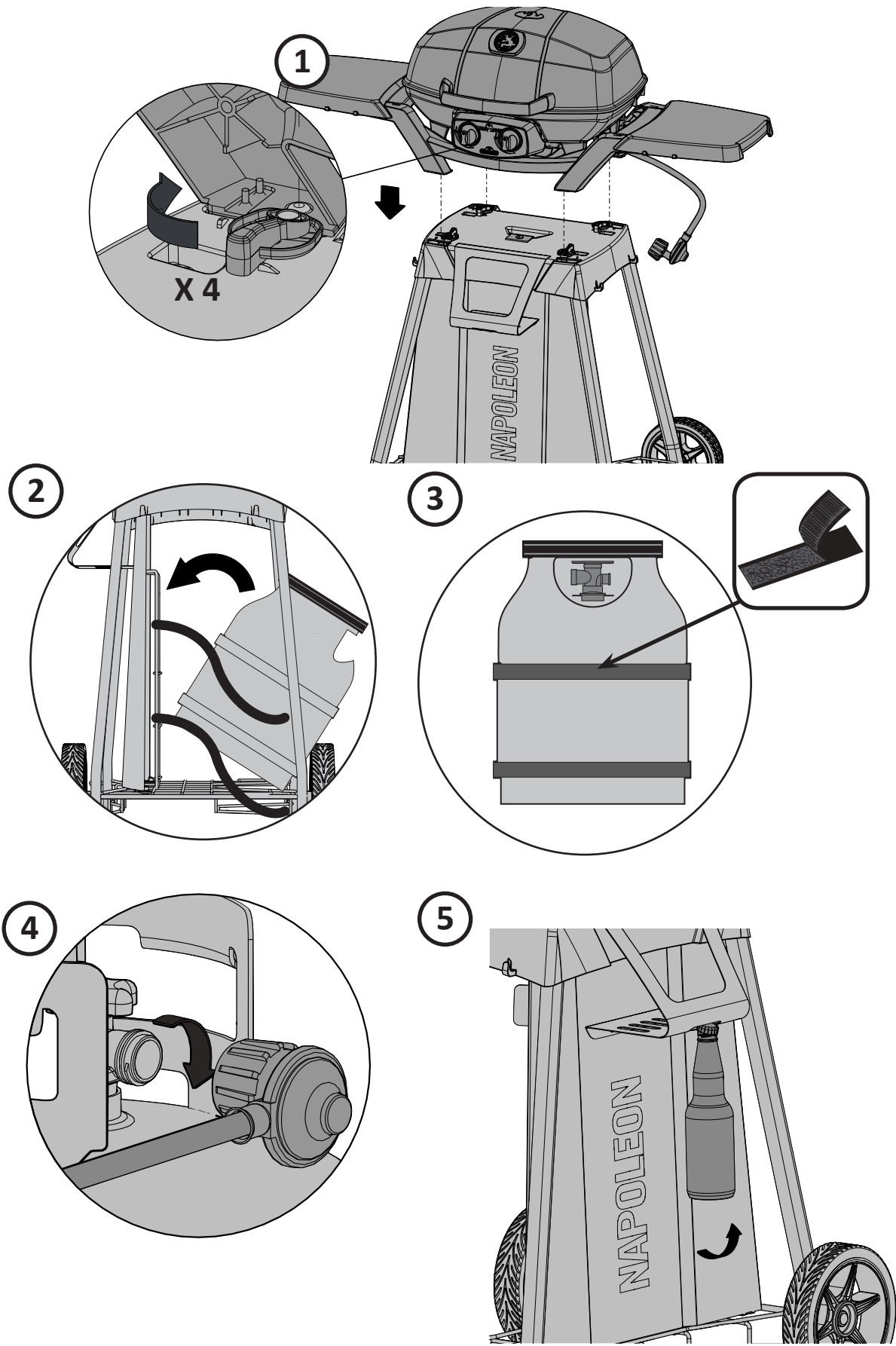
14.



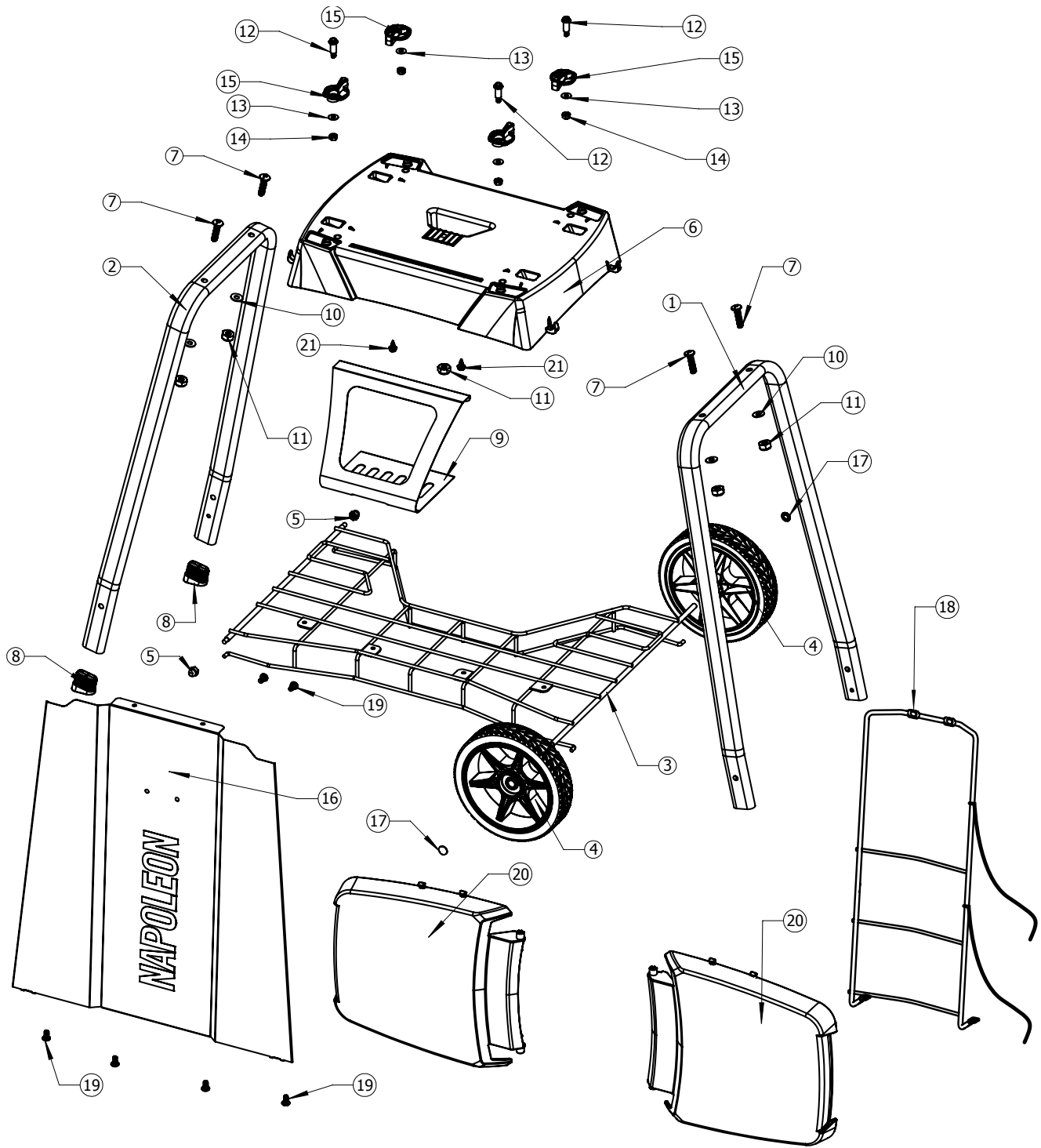
15.



16.

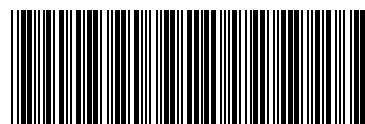


Item	Part #	Description	
1	N720-0074-SS1SG	leg wheel side	x
2	N720-0075-SS1SG	leg foot side	x
3	N590-0245-BK1SG	wire shelf	x
4	Z745-0001	wheel	x
5	N450-0035	nut M8 Acorn	x
6	N590-0243	shelf stand	x
7	N570-0108	screw M8 x 35mm	x
8	N075-0092	foot	x
9	N710-0092	condiment tray	x
10	N735-0019	washer 8mm	x
11	Z450-0015	nut M8	x
12	N570-0110	screw shoulder	x
13	N735-0007	washer 1/4"	x
14	N450-0025	nut 1/4-20	x
15	N390-0006	latch	x
16	N475-0352-BK1SG	panel	x
17	N450-0043	axle cap	x
18	N010-0870	tank support	x
19	N570-0017	screw 1/4-20 x 1/2	x
20	N590-0244-SER	side shelf	x
21	N570-0086	screw #14 x 1/2"	x



Notes

Notes



N415-0311CE